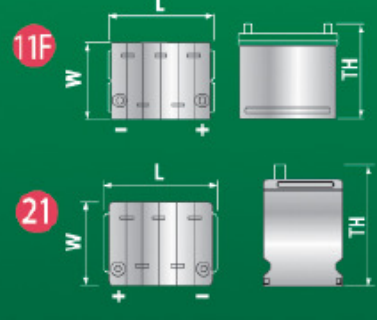
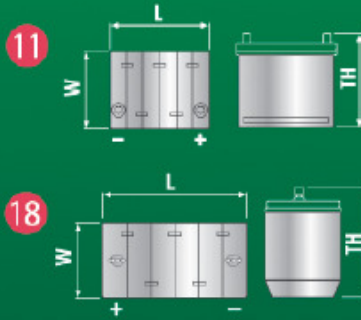
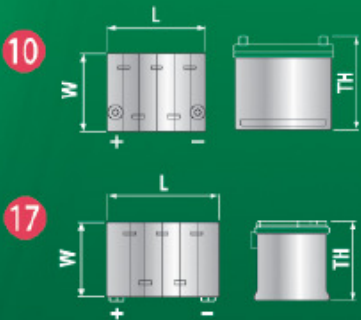


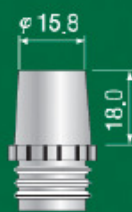
GLOBAL BK-78-710 AUTOMOTIVE & STANDBY BATTERY



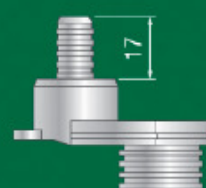
SABMA Model	Global Part No.	Alternative Description Code/Features	A/H at 20hr rate	CCA SAE 18°C	Res Cap Minutes	Dimensions in mm			Mass Kg	Terminal Layout
						L	W	H		
Spec	BK-78-710	Special side terminal	75	710	110	260	179	185	17.5	LHP Screw in



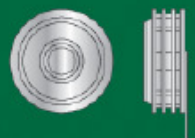
TERMINAL



STD



STUD



SIDE